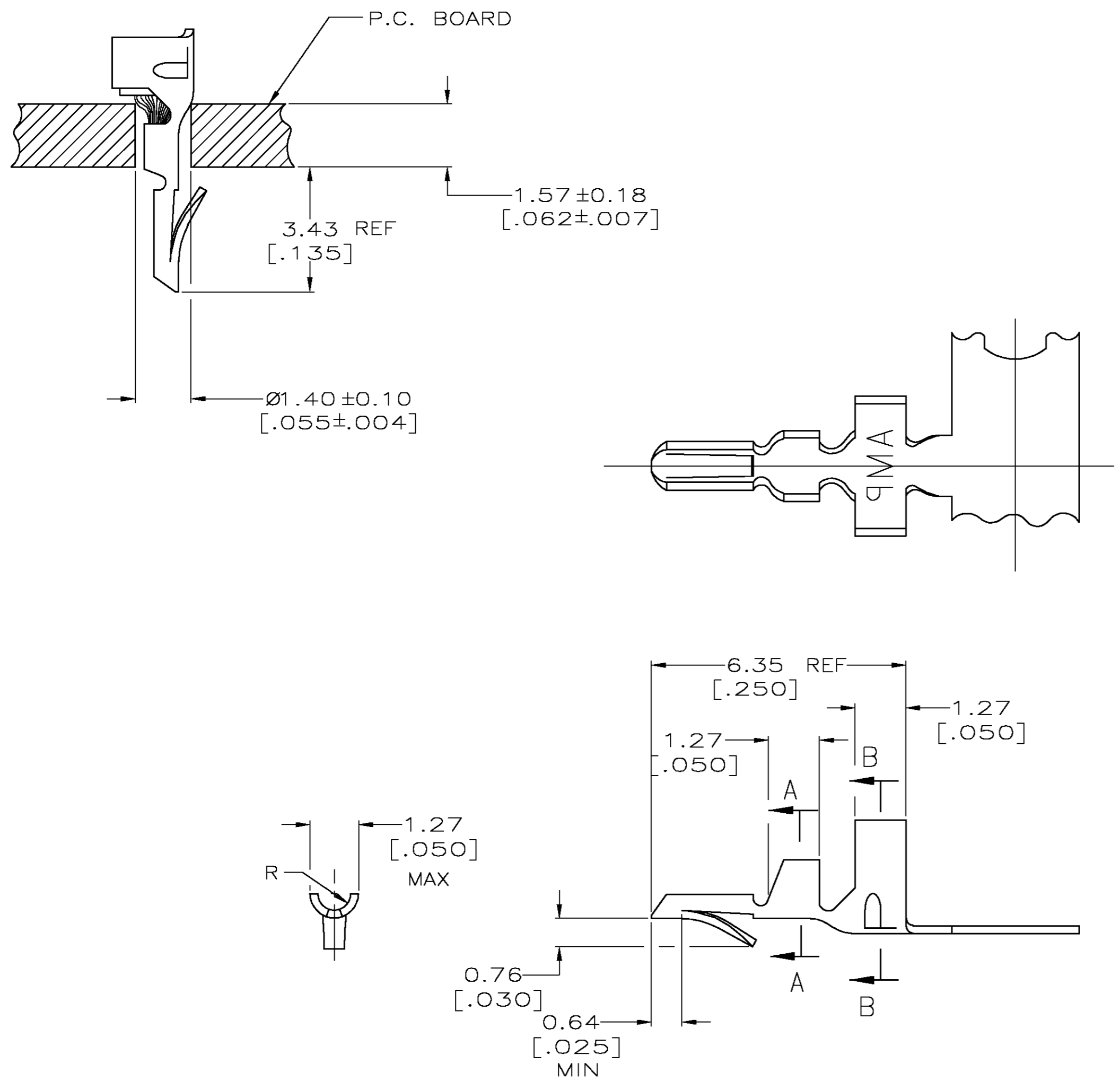
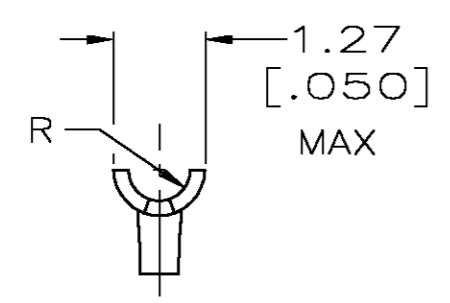
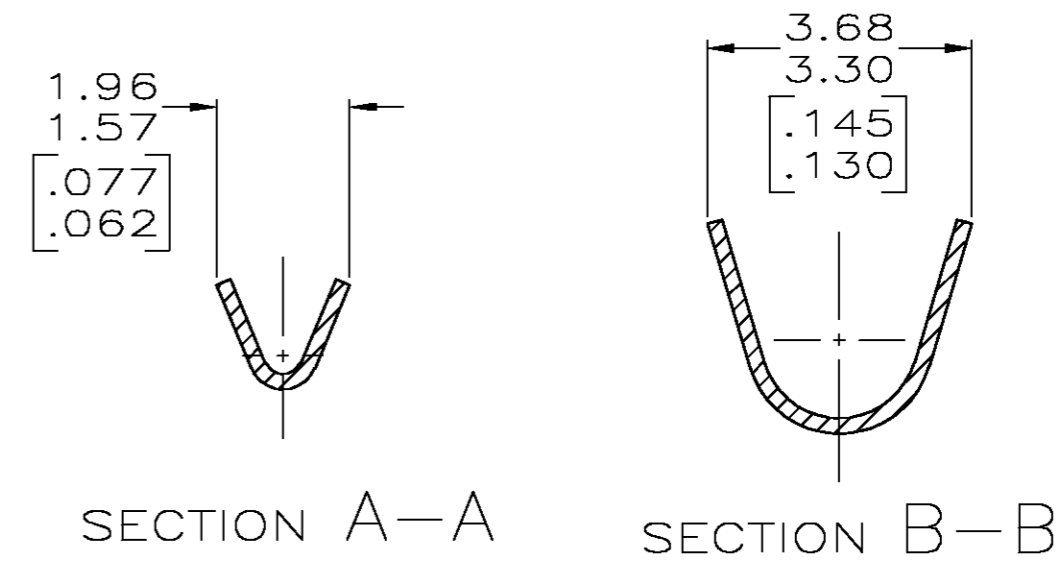


THIS DRAWING IS UNPUBLISHED. RELEASED FOR PUBLICATION
 © COPYRIGHT BY TYCO ELECTRONICS CORPORATION. ALL RIGHTS RESERVED.

LOC		DIST		REVISIONS			
P	LTR	DESCRIPTION	DATE	DWN	APVD		
		N		REV PER ECN 0G3B-03B3-03	21AUG03	SC	JE



- PARTS COMPLY WITH AMP SOLDERABILITY SPEC 109-11-3.
- PARTS CAPABLE OF BEING APPLIED BY AMPOMATOR.
- WIRE RANGE: 0.12-0.4mm² (26-22 AWG).
- INSULATION RANGE: 1.52-2.54 [.060-.100] DIA
- △ 0.00508 [.000200] MIN BRIGHT TIN-LEAD.
- △ 0.00508 [.000200] MIN BRIGHT TIN.



METRIC

△ 7	0.20[.008] PHOS BRONZE	3-640108-1
△ 5	0.20[.008] PHOS BRONZE	640108-1
FINISH	MATERIAL	PART NO.

THIS DRAWING IS A CONTROLLED DOCUMENT.		DWN S. CARPENTER 21AUG2003	Tyco Electronics Corporation Harrisburg, PA 17105	
DIMENSIONS: INCHES		CHK J. ELLIS 21AUG2003	NAME MINI AMP-IN™	
TOLERANCES UNLESS OTHERWISE SPECIFIED:		APVD J. ELLIS 21AUG2003	SIZE A2	CAGE CODE 00779
0 PLC ±	1 PLC ±	PRODUCT SPEC	DRAWING NO C=640108	RESTRICTED TO -
2 PLC ± 0.13 [.005]	3 PLC ±	APPLICATION SPEC 114-1016	SCALE 10:1	SHEET 1 OF 1
4 PLC ±	ANGLES ±	WEIGHT	CUSTOMER DRAWING	REV N
MATERIAL SEE TABLE	FINISH SEE TABLE			

A/C BUSINESS GROUP 3323 177-34 RALPH VESTAL

640108